



ARMOUR
FIRE SAFETY

STI STOPPER II®



STI-1100

KEY FEATURES

General Information

- Proven effective for more than 35 years in helping stop false fire alarms without restricting legitimate alarms.
- Can be used as a guard against physical damage to a manual pull station, with or without the optional warning horn.
- Three year guarantee against breakage of polycarbonate in normal use (one year on electro mechanical and electronic components).

Design

- Larger sizes and surface mounted pull stations accommodated with STI-3100 conduit spacer.
- Weather models have closed cell gaskets.
- The Stopper II design is a registered trademark of Safety Technology International, Inc.

Construction

- UL Listed to U.S. and Canadian safety standards (also for custom labeling).

Installation

- When covering a pull station outside, UL requires stations to be listed for outdoor use.
- Typical working properties of polycarbonate are -40° to 250°F (-40° to 121°C).

Electronics

- Power source is a 9V DC alkaline battery included on standard Stopper II (remote powered unit available).

Options

- Optional horn has a choice of 95 or 105 dB at one foot.
- Standard red units have "In Case of Fire..." label unless specified with "no label" or "custom label" (extra charge for custom label).

PRODUCT OVERVIEW

This protective cover has been helping to stop false fire alarms around the world for more than 35 years, without restricting legitimate alarms. All models offer excellent protection against physical damage (both accidental and intentional) and several against severe environments both inside and out. It is ideal for schools, colleges, hospitals, nursing homes, stores, hotels and public buildings of almost every kind where there is a threat of false alarms.

HOW IT WORKS

Stopper II consists of a clear, tamperproof, tough polycarbonate shield and frame, but the line includes models with the option of a piezo horn, spacer, Form "C" dry relay contact and gaskets. The cover accommodates most manual pull stations. When the Stopper II with horn is lifted to gain access to the protected alarm, a piercing self-contained 95 or 105 dB warning horn (at one foot) sounds. Immediate attention is drawn to the area and a prankster will either run or be caught. The cover is connected to the frame by a cable. When the cover is lifted, it drops off of the frame and a horn will sound (models with horn) until the cover is snapped back onto the frame or for the life of the battery.

STI Stopper II®

Dimensions and Technical Information

MODELS AVAILABLE

Stopper II® Models Indoor Use

- STI-1100* With horn for flush mount
- STI-1130* With horn and spacer
- STI-1200* Without horn flush mount
- STI-1230* Without horn with spacer

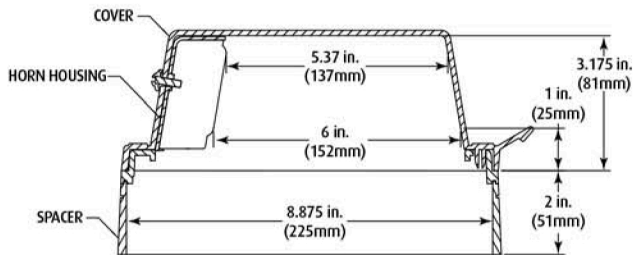
Weather Stopper® with gaskets (Indoor/Outdoor rated)

- STI-1150* Stopper II with horn flush mount
- STI-1155* Stopper II with horn and spacer
- STI-1250* STI-1200 flush mount and gasket
- STI-3150* STI-1200 with spacer and gaskets

Accessories

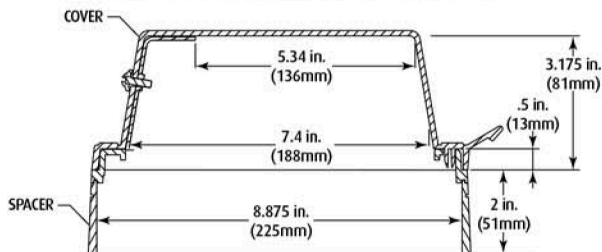
- KIT-316 Louvers for STI-3100
- KIT-H19015 Two 3/16" Allen wrenches
- STI-1102 Replacement horn for cover with alarm
- STI-1280 Backplate
- STI-3002 Weather gasket
- STI-3003 Conduit gasket
- STI-3100 2" conduit spacer with 1/2" conduit entry
- STI-3104 2" conduit spacer with 3/4" conduit entry (includes one 3/4" conduit entry gasket)

- * Add -NR for no label on horn housing
- Add -CR for custom label on horn housing
- Add -FR for French labeling
- Add -ES for Spanish labeling



SIDE VIEW

MODELS WITH HORN (STI-1100 Series)



SIDE VIEW

MODELS WITHOUT HORN (STI-3150 Series)

APPROVALS & WARRANTY

TESTING

It has been tested and approved or listed by:

- UL/cUL Listed No. S2466
- For fire alarm applications, UL38 requires outdoor listed stations for outdoor use
- State of California (obtain local fire marshal approval)
- MEA 49-00-E (STI-1200)
- Flush models ADA Compliant. Surface models ADA Compliant for operation (UL Certified No. S2466)
- Weather Stopper® versions designed to meet the requirements of IP54.
- The indoor/outdoor rated station covers, when mounted on a smooth surface, provide a rain tight seal similar to a 3R enclosure rating.

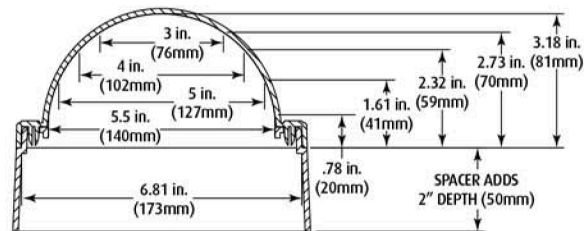
WARRANTY

Three year guarantee against breakage of polycarbonate in normal use (one year on electro mechanical and electronic components).

IMPORTANT NOTICE

Stopper II "FIRE" models are intended to be used in areas where the incidence of false fire alarms from manual pull stations is high or has proven to be a serious problem. Any disadvantage of this device is more than balanced when one considers the consequences of false fire alarms, especially if fire service personnel and equipment are responding to a false fire alarm when they are needed for a real fire somewhere else. Add to this the disruption to the facility when false alarms occur. If you have, or may have, a problem with false fire alarms or physical/weather damage to your fire alarm activation devices, the Stopper II could prove invaluable.

*WARNING: ! For RC models: UL Listing does not permit relay contacts to connect to the fire alarm or a life safety function. The power supply for horns, according to UL Listing, cannot be connected to a UL Listed fire alarm system. For electrical specifications see install book. RC models contain one set of Form "C" dry contacts. Contacts rated 30 VAC/VDC 1 amp.



ALL MODELS END VIEW

- EXTERNAL DIMENSIONS:
- Flush 7.2 W x 10.2 H x 3.3 D in. (183x259x84mm)
 - Surface 7.2 W x 10.2 H x 5.5 D in. (183x259x140mm)



ARMOUR
FIRE SAFETY

STI BREAK GLASS STOPPER®



STI-6100

STI-4130

NOTE: Glass is clear — only appears dark for photo purposes.

PRODUCT OVERVIEW

Accepted by many fire marshals, these versions of the world famous STI Stopper II® are designed for areas where a "break glass" cover is specified, such as unsupervised areas. Each device consists of a red polycarbonate cover, mounting frame, a pane of single-strength clear glass (easily replaced when broken), a glass-breaking bar, screws and anchors for installation. Gaskets are also available to improve weather resistance.

HOW IT WORKS

Three models are available for fire, the smaller STI-6100, the larger STI-4100 and the STI-4130 for surface mount; the STI-4130 is the KIT-900-R conduit spacer and the STI-4100, the spacer will add two inches of depth and accommodate up to ¾" conduit. A fourth "generic" model (STI-6700) is available to cover devices other than manual pull stations. The same size as the STI-6100, it includes a wall mount hanging clip for keys, etc. This model for non-fire applications simply says, "BREAK GLASS."

KEY FEATURES

General Information

- Fire alarm remains clearly visible and accessible.
- Aesthetically appealing.
- Fast, easy installation.
- Accepted by many fire marshals. Obtain local fire marshal approval prior to installation.
- Three year guarantee against breakage of polycarbonate in normal use.

Design

- Glass replacement is simple. Suggestion: Order extra panes with each unit, for immediate replacement.

Construction

- Housing is molded of tough polycarbonate material.

Installation

- Typical working properties of polycarbonate are -40° to 250°F (-40° to 121°C).

Options

- Gaskets available to improve weather resistance.

www.armourfiresafety.com

MONROTON (888) 881-7377
781-3473

Ltd.

OTTAWA (613) 723-4071

TORONTO (905) 881-4071

CALGARY (403) 246-4071

www.armourfiresafety.com

STI Break Glass Stopper®

Dimensions and Technical Information

MODELS AVAILABLE

STI-4100	Break Glass Stopper - large
STI-4130	Kit containing both STI-4100 and SUB-900-R
STI-6100	Break Glass Stopper - small
STI-6700	Break Glass Stopper Keys Under Glass
KIT-08	Replacement break glass tool
KIT-09	Replacement glass for STI-6100
KIT-10	Replacement glass for STI-4100
KIT-67	Replacement glass for STI-6700 - reads "Break Glass"
KIT-900-R	2" Conduit Spacer (red) for STI-4100
KIT-6702	Tamperproof screw kit
KIT-H19016	Two tamper wrenches
STI-1280	Backplate for STI-4100
STI-3002	Weather gasket - large*
STI-3003	Conduit gasket 1/2"

*Gaskets may need to be trimmed prior to installation.

ACCESSORIES

Several accessories are available for the Break Glass Stopper. They include a polycarbonate mounting backplate (recommended for all installations with irregular mounting surfaces), additional spacer for stations with greater depth or exposed conduit and tamperproof screws (STI-4100 only).

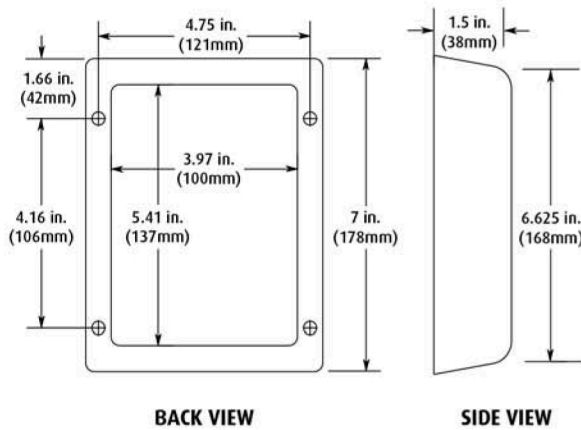
NOTE

Local fire marshal approval should be obtained prior to installation.

WARRANTY

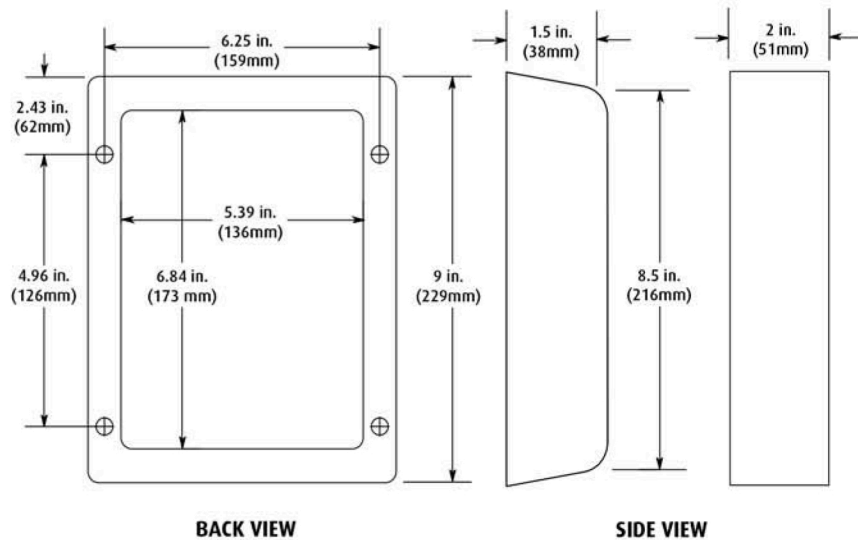
Three year guarantee against breakage of polycarbonate in normal use.

STI-6100 and STI-6700



STI-4100

SUB-900-R





ARMOUR
FIRE SAFETY

STI BREAK GLASS STOPPER®



STI-6720

PRODUCT OVERVIEW

What do you do when the keys to your fire alarm system, exit doors, and so forth must be available in an emergency, but you don't want to just hang them on a nail? The inexpensive answer is STI's Break Glass Stopper. Your keys are readily available when necessary, but not too available.

BACKED BY A THREE YEAR GUARANTEE

In order for someone to access the key, they must literally break the glass; and that's something any of us would be hesitant to do without good reason. Altogether, this serves as a very effective deterrent against theft and malicious or wrongful use. Break Glass Stopper is easy to install and installation takes only a couple of minutes.

KEY FEATURES

General Information

- An excellent way to protect emergency keys from theft or wrongful use.
- Keys remain visible as well as available in case of an emergency.
- Inexpensive, especially when you consider just how valuable it can be to your operation.
- Three year guarantee against breakage of the ABS housing during normal use.

Design

- Aesthetically appealing.

Installation

- Fast and easy installation.
- Simple, inexpensive glass replacement (Suggestion: order extra panes with each unit. Item KIT-672).

STI Break Glass Stopper®

Dimensions and Technical Information

MODELS AVAILABLE

STI-6720 Break Glass Stopper Keys Under Plexiglas®
KIT-672 Replacement Glass for STI-6720

RELATED MODELS AVAILABLE

STI-4100 Fits manual pull stations up to 5 3/8 in. wide x 6 3/4 in. high x 1 1/2 in. deep. (Use Stopper II® spacer KIT-900-R for surface-mounted and larger stations to add 2 in. in depth.)
STI-6100 For manual stations up to 4 1/8 in. wide x 5 1/4 in. high x 1 1/2 in. deep.
STI-6700 Generic "Break Glass" unit available for devices other than fire alarm pull stations, etc. Same size as STI-6100. Includes wall mount hanging clip for keys, etc.

INSTRUCTIONS

Break Glass Stopper is an inexpensive yet effective way to keep keys available but not too available. Once base is mounted and keys securely hanging on hook, the cover with glass is snapped into place. The only way to now access the keys is by breaking the front glass. This protective cover will help keep track of important keys. Keep extra panes of glass in stock so after an emergency keys can again be securely displayed with Break Glass Stopper.

WARRANTY

Three year guarantee against breakage of the ABS housing during normal use.

