



Armour Fire Safety

CLASSIC & CHIEF SURFACE MOUNTED FIRE EXTINGUISHER CABINETS



Classic Cabinet



**Classic Cabinet
with recessing frame**

Classic (Quality Metal Surface Cabinets)

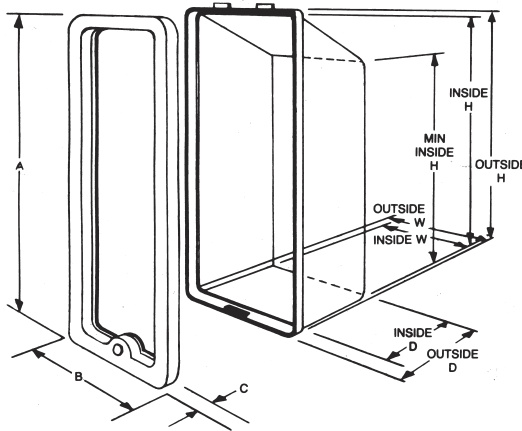
Classic Metal Surface Cabinets are constructed of 18 ga. (1.19mm) baked white enamel steel. Designed for theft and vandalism protection in parking areas, schools, and mechanical rooms to safely store fire extinguishers. All cabinets come complete with cylinder lock keyed alike, plexi glass panel that can be removed for servicing the fire extinguisher. Break glass hammer and break glass instruction decal also provided.

Cabinets also available with a unique recessing frame for in wall mounting.

NFE	FLAG	Max. Ext.	Depth		Width		Height		Ship Wt.	
			in	mm	in	mm	in	mm	Lb	kg
ECS-99		5 lbs (short)	5	127	8	203	17	432	5 1/2	2 1/2
ECS-99T	FXC5	5 lbs (long)	5	127	8	203	20.5	530	6	2 5/7
ECS-999	FXC10	10 lbs.	6.25	607	10.5	267	24	607	11	5
ECS-104	FXC20	20 lbs.	9	768	14.2	370	30.25	768	24	11



The Chief Cabinet



The Chief

(High Impact Flame Retardant
ABS Surface Cabinets)

The Chief Cabinets are constructed of high impact ABS (Acrylonitrile Butadiene Styrene). These unique cabinets will not rust, dent or fade. Flame retard conforming to UL standard rated: 94 V-O. No sharp corners for maximum safety. Standard colour is white but also available in red at additional cost. Frame and tubs sections can be supplied with mix of red or white.

All cabinets are standard with "X" scored acrylic panels, cylinder locks keyed alike, break glass hammer and break glass instruction decal.

N.F.E Chief Number	Cabinet Minimum Inside Dimensions						Cabinet Minimum Outside Dimensions						Cabinet Minimum Max. Outside Dim.						Carton Shipping Weight		
	Height		Width		Depth		Height		Width		Depth		Height		Width		Depth		Ctn	Lb	kg
	in	mm	in	mm	in	mm	in	mm	in	mm	in	mm	in	mm	in	mm	in	mm	Qty	Lb	kg
ECS-1055	16 3/4	419	6	150	5 3/8	135	19	475	8	200	6 5/8	166	19 1/4	482	8 1/4	207	6 3/4	169	10	39	17.7
ECS-10510	20 1/2	513	6 3/4	169	6	150	23	575	9	225	7	175	23 1/4	582	9 1/4	232	7 1/4	182	8	43	19.5
ECS-10520	26	650	9	225	8	200	28	700	11	275	9	225	28 1/2	713	11 1/2	288	9 1/2	238	6	46	20.9

