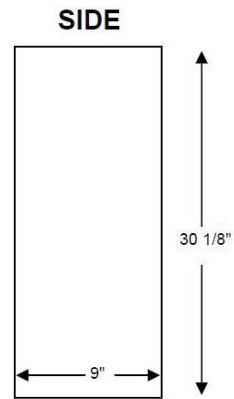
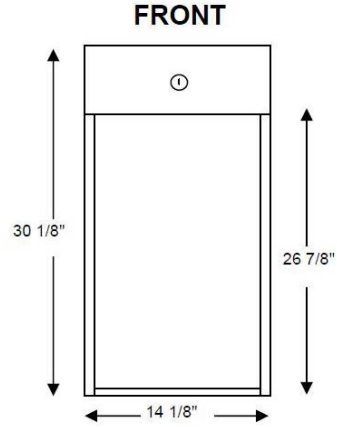




Armour Fire Safety

ECS-104 EXTINGUISHER CABINET



National Fire's Classic series are surface mounted cabinets that are both practical and economical. Theft and vandal resistant; these cabinets remain locked at all times, allowing emergency access through means of breaking the scored plexi glass. Cabinets come complete with scored plexi, breaker bar, key and decal. Perfect for parking garages, warehouses, industrial areas and construction sites.

Fire Extinguisher Capacity (Dry Chemical)	20 lb
Width	14-1/8 in
Height	30-1/8 in
Depth	9 in
Door & Tub	18 GA. Galvanized Steel Construction
Finish	Electrostatically Applied Baked White Enamel Paint
Label	UV Resistant Decal
Includes	Keyed Alike Cylinder Lock with Key Breaker Bar & Chain Scored Acrylic (27-1/2" h X 13-7/8" w)

